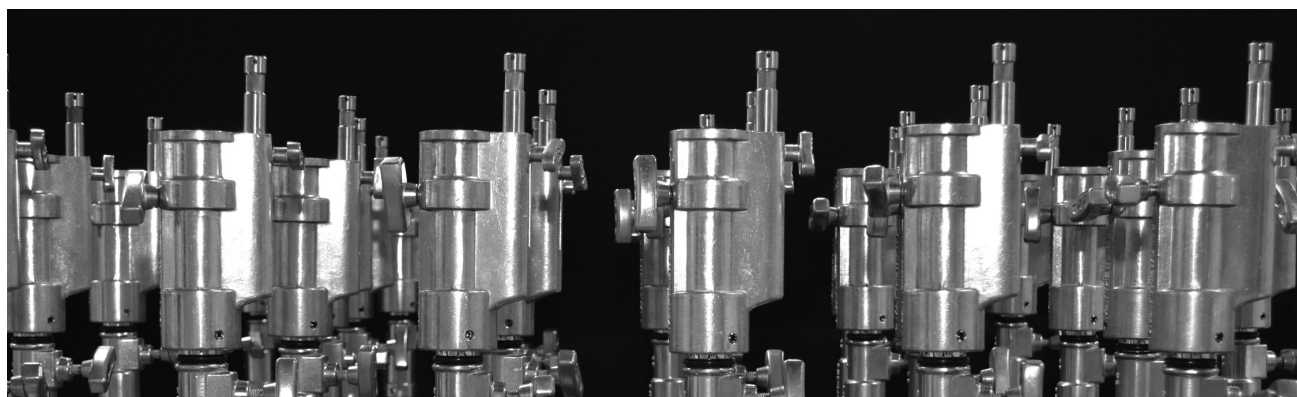


STANDS



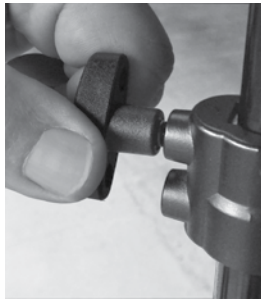
CHAPTER 2

MERF Stand

The Perfect Choice for Photographers on the Move.

A new concept in small, robust kit stands...just got newer! We have taken the proven small stand concept of reverse folding legs and gone one step further by introducing MERF which now features a secure clamping device that includes T-handles!

Stuff it in your backpack or small portable lighting kit – when extended, MERF will give you a full 7'5" (277cm) stand that features heavy-wall, lightweight aluminum tubing for added strength and stability. MERF is even more compact than other



stands because of the unique clamping device that holds the riser tubes firmly in place. You will be confident that your precision lighting instruments are secure when positioned on this robust, compact stand. Should in-field repairs become necessary, MERF is assembled with readily available nuts and bolts — not rivets!

Once again, it's Matthews Studio Equipment. It's bold! It's new! It's even newer! It's MERF — Technology That Complements Your Imagination.

SPECIFICATIONS

Max Height.....89" (7'5" or 277cm)

Closed Length.....20" (51cm)

Weight.....2.5lbs (1.1kg)

Capacity.....9lbs (4kg)

Footprint Diameter.....24" (61cm)

B387489 MERF..... List Price \$86.00



Reverse Stand

Now here's a clever idea that really does complement your imagination — Matthews Reverse Stand. An innovative approach to folding a stand without compromising the stand's integrity or capacity. It's a tough little stand with a really neat feature!

The dimensions are particularly impressive when you compare the maximum height you're able to attain against the minimum folded length. And it's lightweight, strong and extremely durable. However, should there be a need for repair, it's constructed using nuts and bolts — not rivets — making repairs a whole lot easier! Comes with 4 risers and a 5/8 pin. Now that's versatile!

Why wouldn't it be... it's Matthews.

DIMENSIONS

Height.....	83.5" (212cm)
Weight.....	3lbs (1.4kg)
Footprint.....	32" (81cm)
Folded.....	22.75" (58cm)
Folded Diameter.....	3" (7.5cm)
Capacity.....	11lbs (5kg)

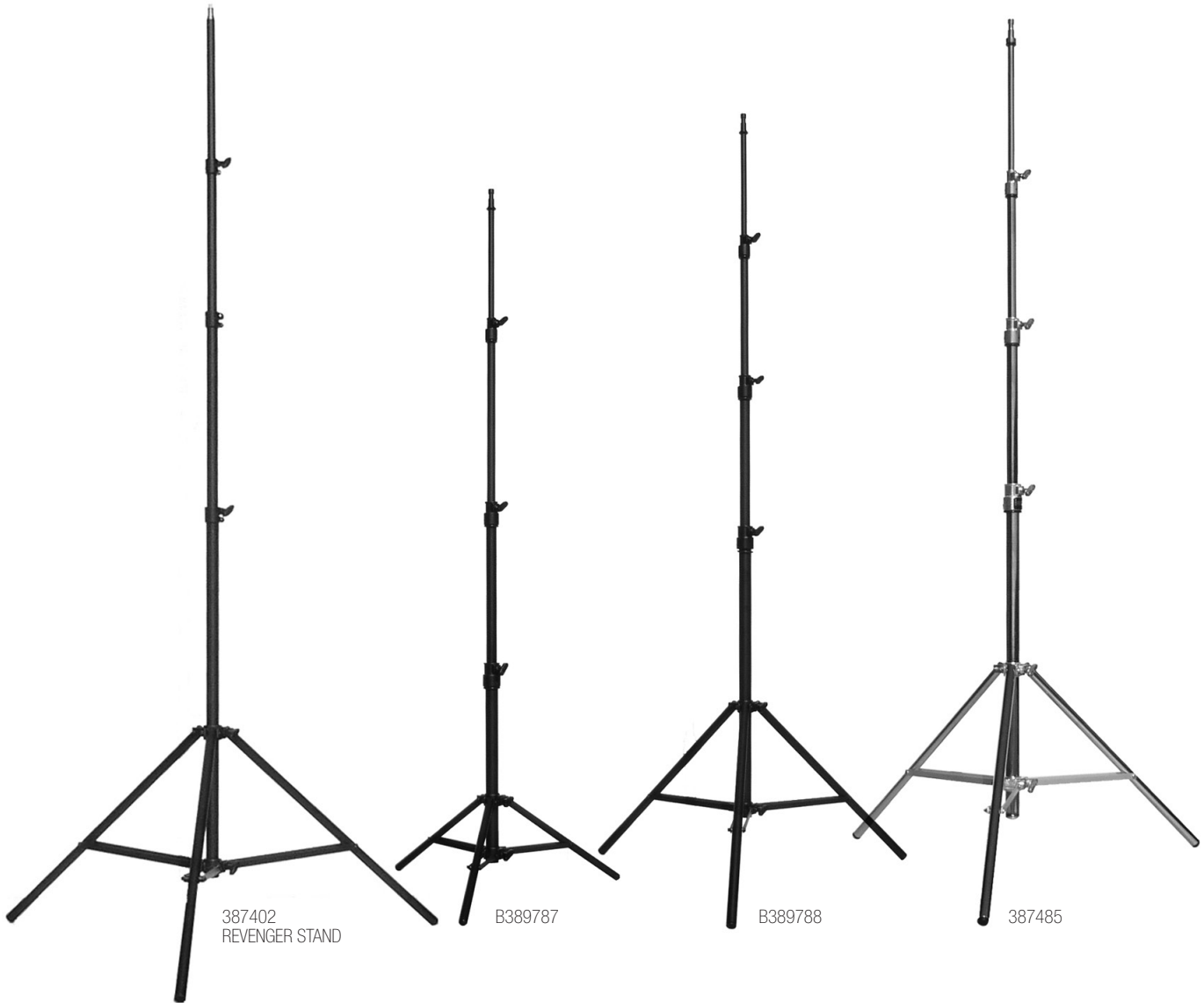
B387486 Reverse Stand..... List Price \$88.00



Revenger Stands

Designed primarily for use in lighting kits, these stands are compact and lightweight, ideal for assembling custom lighting kits or replacing your current stands. Matthews Revenger Stands employ a 'brake shoe' system for locking off the riser tubes as opposed to 'pinch castings,' therefore permitting the use of heavier fixtures. Revenger stands feature a wider footprint for increased stability, beefed up leg braces, and a very low price. Ideal for students, studio or location.

STANDS



387402
REVENGER STAND

B389787

B389788

387485

387402 — Black
Revenger Stand
Maximum Height..... 128" (3130mm)
Minimum Height..... 38" (930mm)
Weight Capacity..... 22 lbs (10kg)
Weight..... 4 lbs (1.8kg)
Footprint..... 43" (1092mm)
Folded Base..... 5" (127mm)
Folded Length..... 36" (920mm)
List Price: \$79.00

B389787
Kit — Light/Medium
with Brake — Black
Maximum Height..... 82" (2083mm)
Minimum Height..... 26" (660mm)
Weight Capacity..... 17 lbs (8kg)
Weight..... 3 lbs (1kg)
Footprint..... 27" (686mm)
Folded Base..... 5" (127mm)
Folded Length..... 27" (690mm)
List Price: \$101.00

B389788
Kit — Medium Duty
with Brake — Black
Maximum Height..... 92.5" (2350mm)
Minimum Height..... 30" (76mm)
Weight Capacity..... 20 lbs (9kg)
Weight..... 3.5 lbs (1.5kg)
Footprint..... 32" (813mm)
Folded Base..... 3" (76mm)
Folded Length..... 31" (790mm)
List Price: \$96.00

387485 — Chrome — Steel
B387485 — Black — Aluminum
Kit — Medium Duty Maxi
Maximum Height..... 113.5" (2350mm)
Minimum Height..... 36" (914mm)
Weight Capacity..... 25 lbs (11kg)
Weight..... 8.5 lbs (4kg)
Footprint..... 37" (813mm)
Folded Base..... 3" (76mm)
Folded Length..... 36" (920mm)
List Price: \$140.00

387102 Wheels
Set of 3
List Price: \$35.00

387102 Wheels
Set of 3
List Price: \$35.00

387102 Wheels
Set of 3
List Price: \$35.00

387101 Wheels
Set of 3
List Price: \$35.00

Back Light Stand

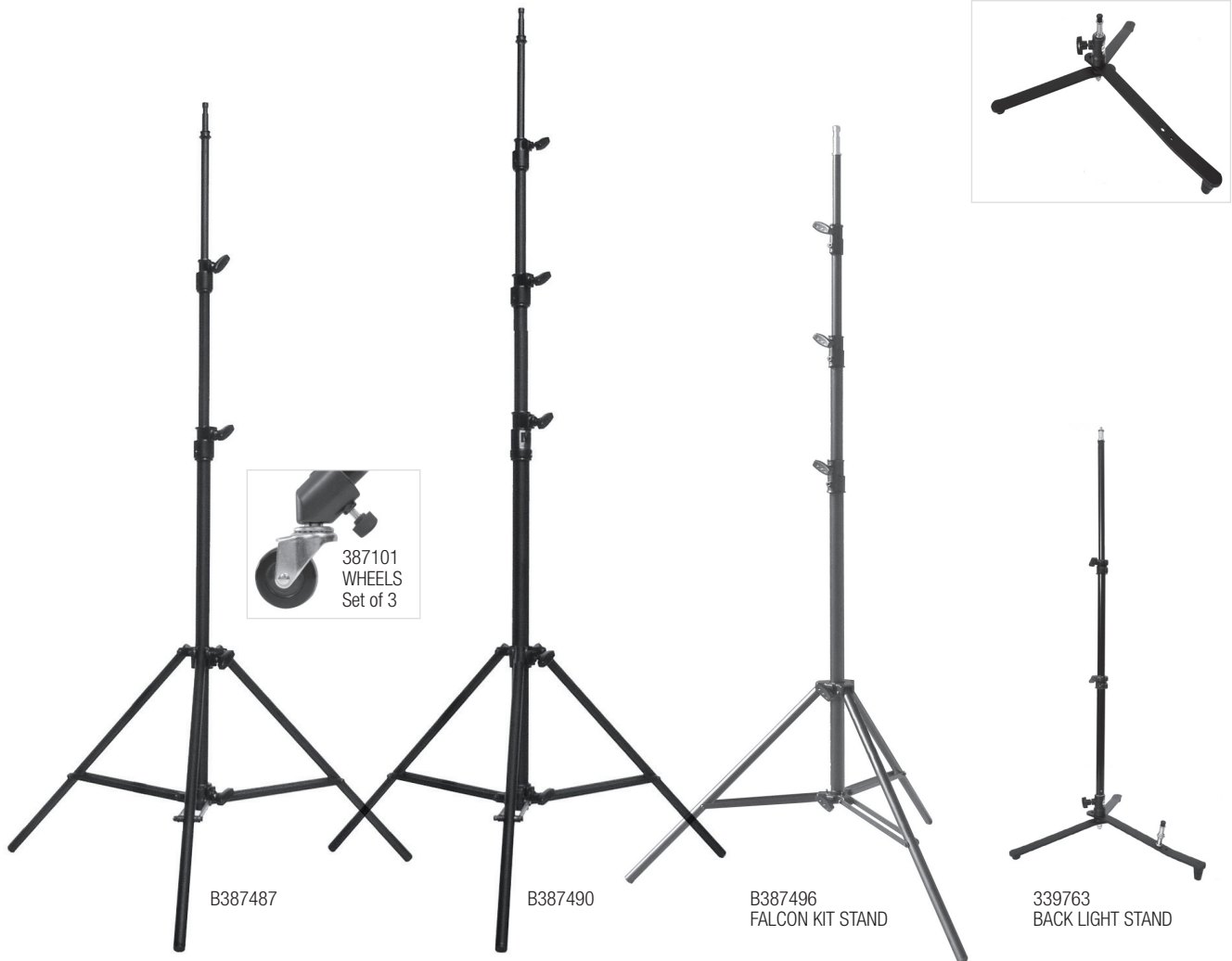
FALCON. No Matter What the Location.

The Falcon is a lightweight aluminum twelve foot stand that is both robust and rugged. All risers are braked and not 'pinched' and, as always, Matthews stands are manufactured and assembled using nuts and bolts — not rivets! Finished in a non-reflective flat black finish, the Falcon stand is a strong triple-riser lightweight stand that is ideal for either location or studio work. The mounting pin is a heavy-duty 5/8" (16mm) steel double-cross pinned spigot.

Precision Lighting Made Possible.

The Matthews Back Light Stand is configured so that accurate positioning of the back light may be achieved. Used for either background illumination or backlighting the subject. An extendable column allows for a wide range of heights and includes an interchangeable 5/8" pin that positions the light almost directly on the floor.

STANDS



B387487
 Kit — Light/Heavy
 Double Riser — Black

Maximum Height... 100.5" (2553mm)
 Minimum Height.....39" (991mm)
 Weight Capacity..... 25 lbs (11kg)
 Weight.....6 lbs (3kg)
 Footprint.....43" (1090mm)
 Folded Base.....5" (127mm)
 Folded Length.....36" (920mm)
 List Price: \$164.00

387101 Wheels
 Set of 3
 List Price: \$35.00

B387490
 Kit — Light/Heavy
 Triple Riser — Black

Maximum Height.....149" (3531mm)
 Minimum Height.....49" (1245mm)
 Weight Capacity.....25 lbs (11kg)
 Weight.....7 lbs (3kg)
 Footprint.....43" (1090mm)
 Folded Base.....5" (127mm)
 Folded Length.....39" (990mm)
 List Price: \$197.00

387102 Wheels
 Set of 3
 List Price: \$35.00

B387496
 FALCON Kit Stand

Maximum Height.....144" (366cm)
 Minimum Height.....51.5" (131cm)
 Weight Capacity.....30 lbs (14kg)
 Weight.....6 lbs (2.8kg)
 Footprint.....36" (91cm)
 Folded Base.....5" (12cm)
 Folded Length.....45" (114cm)
 List Price: \$130.00

387101 Wheels
 Set of 3
 List Price \$35.00

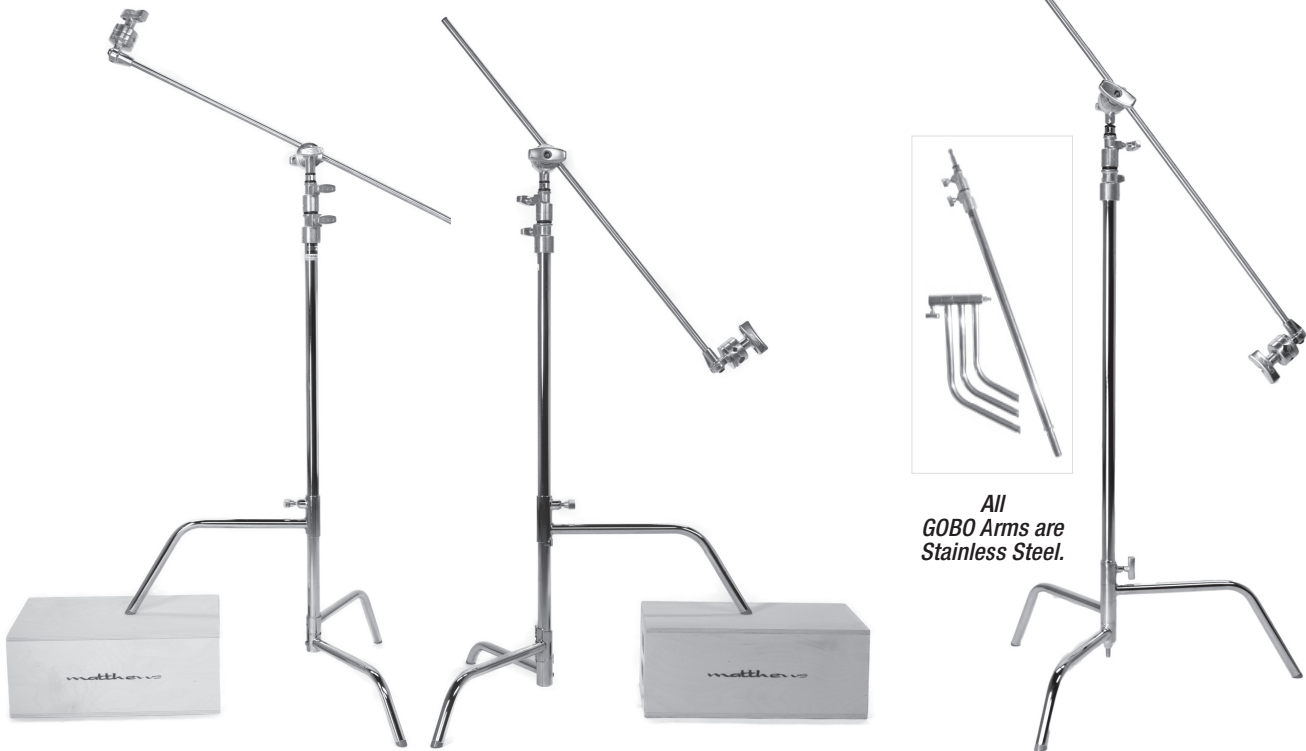
339763
 Back Light Stand —
 Black

Maximum Height.....52" (1320mm)
 Minimum Height.....19" (492mm)
 Weight Capacity.....22 lbs (10kg)
 Weight.....4 lbs (1.8kg)
 Footprint.....12" (305mm)
 Folded Base.....5" (127mm)
 List Price: \$67.00

The History of C-Stands™

In 1974 Matthews Studio Equipment introduced the industry's first folding base C-Stand. (C-Stand and Century Stand are registered trademarks of Matthews Studio Equipment.) Matthews now produces a wide range of C-Stands and related accessories to assist the motion picture, television and photographic professional in lighting and lighting modification support. The term 'Century Stand' goes back to the early days of motion picture production. Before there was artificial lighting the stages would revolve to allow for continuous overhead lighting from the sun. Large reflectors would be positioned to bounce or kick the overhead light up onto the stage and illuminate the set and actors. These reflectors were made in many sizes but it seems the most popular was the 100 inch, or 'century', sized reflector. In later years studios, grips and gaffers began to manufacture the earliest versions of what we now call C-Stands. The original C-Stands had welded bases that did not fold up or adjust but the fact that they easily nested together made them invaluable on the stage. Century Stands or 'C' stands are an important component in the image makers arsenal of tools. These popular stands are available in many different configurations, lengths and finishes. The unique staggered leg design allows C-Stands to be nested and therefore be placed extremely close to one another on set. The lower leg can also be slid under many objects. The C+ offers a removable base for the risers making disassembly for travel simple and easy without being cumbersome or having the awkwardness typical of other manufacturers. The sliding leg allows for use on stairs, off curbs and even as high as a desk or counter top. Patents applied for and pending. Fast, easy opening and closing.

Hollywood C-Stand™ Kits



756040
40" C-Stand w/Sliding Leg
Includes Grip Head & Arm

Max Ht: 126.5" (321cm)
Min Ht: 53" (126cm)
Capacity: 22 lbs. (10kg)
Weight: 16lbs. (7.2kg)
Footprint: 27.5" (70cm)
Folded Base: 21" (54cm)
List Price: \$187.00
Available in black finish.
B756040

339567
Hollywood Pro
40" C-Stand w/Sliding Leg
Low Profile Base Includes Grip
Head & Arm

Max Ht: 126.5" (321cm)
Min Ht: 53" (126cm)
Capacity: 22 lbs. (10kg)
Weight: 16lbs. (7.2kg)
Footprint: 27.5" (70cm)
Folded Base: 21" (54cm)
List Price: \$208.00

All
GOBO Arms are
Stainless Steel.

756140*
40" C+ Stand w/Spring
Loaded Turtle Base*
Includes Grip Head & Arm

Max Ht: 126.5" (321cm)
Min Ht: 53" (126cm)
Capacity: 22 lbs. (10kg)
Weight: 16lbs. (7.2kg)
Footprint: 27.5" (70cm)
Folded Base: 21" (54cm)
List Price: \$230.00
Available in black finish.
B756140

"Stands that last...you get what you pay for."



Hollywood C-Stand™ Features



Matthews' T-handles and spin handles are ergonomically designed to allow for fast, efficient and safe tightening with little effort.

All Matthews C-Stands are available with 18mm receivers for 16mm pins for the international production industry's requirements.

All Matthews 2-1/2" gripheads are available with 16mm pins.

Contact your dealer for price.



Matthews' C-Stand legs are arc welded for maximum strength and lighter weight. No heavy, fragile castings.



Brakes: All Matthews stands feature v-shaped, brass brakes to ensure maximum three point contact and holding strength.

20" Hollywood C-Stand™ Kits



339570
Hollywood Pro
20" C-Stand w/Sliding Leg,
Low Profile Includes Grip Head
& Arm

Max Ht: 63" (161cm)
Min Ht: 30" (76cm)
Capacity: 22lbs. (10kg)
Weight: 8.25lbs. (4kg)
Footprint: 27.5" (70cm)
Folded Base: 21" (54cm)
List Price: \$208.00



756120*
20" C+ Stand w/Spring Loaded
Turtle Base Includes Grip Head
& Arm

Max Ht: 63" (161cm)
Min Ht: 30" (76cm)
Capacity: 22lbs. (10kg)
Weight: 13lbs. (6kg)
Footprint: 27.5" (70cm)
Folded Base: 21" (54cm)
List Price: \$230.00
Available in black finish.
B756120



756020
20" C-Stand w/Sliding Leg
Includes Grip Head & Arm

Max Ht: 63" (161cm)
Min Ht: 30" (76cm)
Capacity: 22lbs. (10kg)
Weight: 8.25lbs. (4kg)
Footprint: 27.5" (70cm)
Folded Base: 21" (54cm)
List Price: \$187.00
Available in black finish.
B756020

Century Stands™

Spring Loaded C-Stands™

These popular stands are available in many different configurations, lengths and finishes. The unique staggered leg design allows C-Stands to be nested and therefore be placed extremely close to one another on set. The lower leg can also be slid under many objects. The C+ offers a removable base for the risers making disassembly for travel simple and easy without being cumbersome or having the awkwardness typical of other manufacturers. Patents applied for and pending. Fast, easy opening and closing.

STANDS



339573
20" C Stand - "Punky"
w/Spring Loaded

Mini Base - 17" Foot Print
Max Ht: 63" (161cm)
Min Ht: 30" (75cm)
Capacity: 15 lbs. (7kg)
Weight: 7 lbs. (3kg)
Footprint: 27.5" (70cm)
Folded Base: 21" (54cm)
List Price: \$225.00
Available in black finish.
B339573



339574
20" C Stand
w/Spring Loaded Base

Max Ht: 63" (161cm)
Min Ht: 30" (76cm)
Capacity: 22 lbs. (10kg)
Weight: 8.25 lbs. (4kg)
Footprint: 27.5" (70cm)
Folded Base: 21" (54cm)
List Price: \$175.00
Available in black finish.
B339574

339561
30" C Stand
w/Spring Loaded Base

Max Ht: 97" (246cm)
Min Ht: 51" (130cm)
Capacity: 22 lbs. (10kg)
Weight: 13 lbs. (6kg)
Footprint: 27.5" (70cm)
List Price: \$265.00
Available in black finish.
B339561



339564
40" C Stand
w/Spring Loaded Base

Max Ht: 126" (321cm)
Min Ht: 53" (134cm)
Capacity: 22 lbs. (10kg)
Weight: 11 lbs. (5kg)
Footprint: 27.5" (70cm)
List Price: \$189.00
Available in black finish.
B339564

339568
60" C Stand
w/Spring Loaded Base

Max Ht: 184" (467cm)
Min Ht: 70" (178cm)
Capacity: 22 lbs. (10kg)
Weight: 18 lbs. (8kg)
Footprint: 27.5" (70cm)
List Price: \$266.00
Available in black finish.
B339568



339758
40" C+ Stand
w/Spring Loaded Base

Max Ht: 126" (321cm)
Min Ht: 53" (134cm)
Capacity: 22 lbs. (10kg)
Weight: 11 lbs. (5kg)
Footprint: 27.5" (70cm)
Folded Base: 21" (54cm)
List Price: \$194.00
Available in black finish.
B339758

Hollywood C-Stand™ Accessories

STANDS



681012
20" Stainless Steel Arm
Weight: 2lbs. (1kg)
List Price: \$58.00



681013
40" Stainless Steel Arm
Weight: 3.25lbs. (1.5kg)
List Price: \$58.00

B681012
Available in black finish.
List Price: \$58.00

B681013
Available in black finish.
List Price: \$58.00



655020
20" Grip Head &
Stainless Steel Arm
Weight: 3.25lbs. (1.5kg)
List Price: \$80.00
Available in black finish.
B655020



655040
40" Grip Head &
Stainless Steel Arm
Weight: 4.5lbs. (2kg)
List Price: \$80.00
Available in black finish.
B655040



754042
40" C-Stand with
Double Sliding Leg
Weight: 12lbs. (5.5kg)
List Price: \$235.00
Max Ht: 184" (467cm)
Min Ht: 70" (178cm)
Capacity: 22lbs. (10kg)
Weight: 18lbs. (8kg)
Footprint: 27.5" (70cm)



339761
C+20" Riser
Section Only
Weight: 7lbs. (3.2kg)
List Price: \$100.00

339725
C+40" Riser
Section Only
Weight: 10lbs. (4.6kg)
List Price: \$130.00



350580
Hollywood Grip Head™
The strongest and most popular grip
head in the industry. Plates feature 3/8"
and 5/8" mounting holes.
Weight: 1.3lbs. (0.6kg)
List Price: \$39.00
Available in black finish.
B350580

*"Set it – and forget it!"
Matthews grip heads with
the patented "V" groove
concept will not slip.*



339759
Spring Loaded
Turtle Base Only
Weight: 5lbs. (2kg)
List Price: \$136.00
Available in black finish.
B339759



429658
Century Stand
Door Rack
Holds up to six
stands securely.
Weight: 4lbs. (1.8kg)
List Price: \$169.00

Baby Stands

The MatthLINK Stand

The MatthLINK Stand is truly the missing link! Innovated to replace everything from full apple boxes to pancakes, this flexible stand is designed to work with anything that has a 5/8" baby pin, extending from the ground up to 17 inches on center. The MatthLINK Stand can be placed over cable, tucks neatly into corners, and is easily stored by the dozen in a milk crate. This unique design replaces the old Baby Plate screwed to any apple box configuration. Save your apple boxes for what they were made for...*SITTING!!!*

CATALOG #	DESCRIPTION	LBS/KG	LIST PRICE
B386019	The MatthLINK Stand	2.8 (1.2kg)	\$180.00



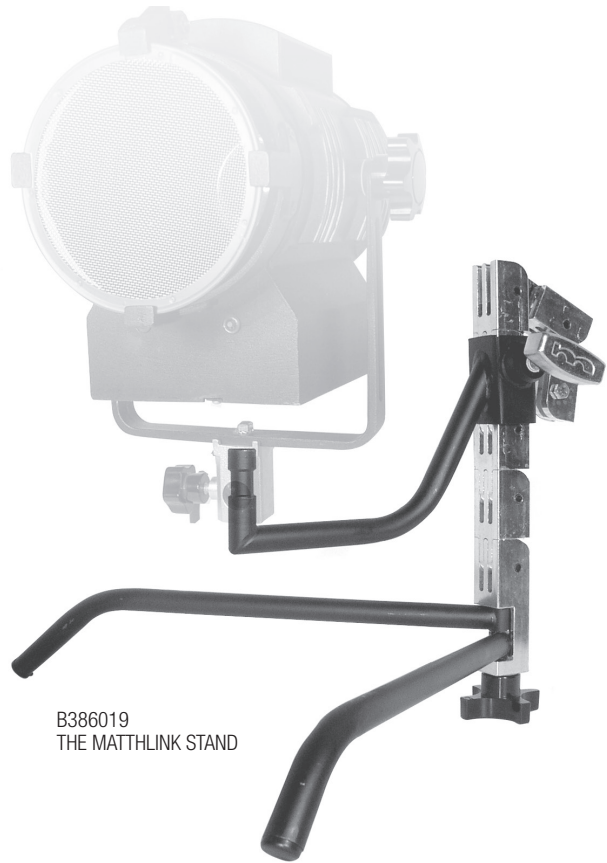
MATTHLINK STAND AT FULL EXTENSION



MATTHLINK STAND FITS SNUGLY INTO ANY CORNER



MATTHLINK STAND FOLDS NEARLY FLAT FOR EASY STORAGE AND TRANSPORTING.



B386019 THE MATTHLINK STAND

Baby Stands — "Pony"

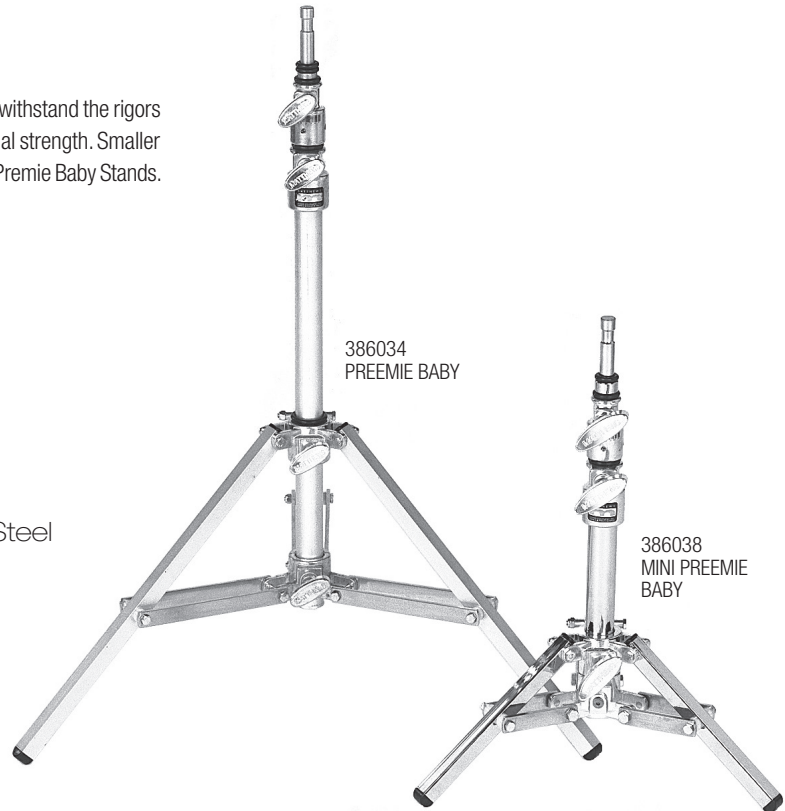
Heavy-duty and rugged, these aluminum and steel stands can withstand the rigors of location shooting. Made with square tubular legs for additional strength. Smaller versions of Beefy Baby Stands are known as Mini Preemie and Premie Baby Stands.

386034 Premie Baby

Maximum Height.....	69" (1753mm)
Minimum Height.....	28" (711mm)
Weight Capacity.....	25lbs (11kg)
Weight.....	5lbs (2kg)
Footprint.....	30" (76mm)
Folded Base.....	5" (127mm)
List Price:	\$214.00

386038 Mini Premie Baby — Steel

Maximum Height.....	36" (914mm)
Minimum Height.....	20" (508mm)
Weight Capacity.....	22lbs (10kg)
Weight.....	5.75lbs (3kg)
Footprint.....	14" (356mm)
Folded Base.....	5" (127mm)
List Price:	\$214.00

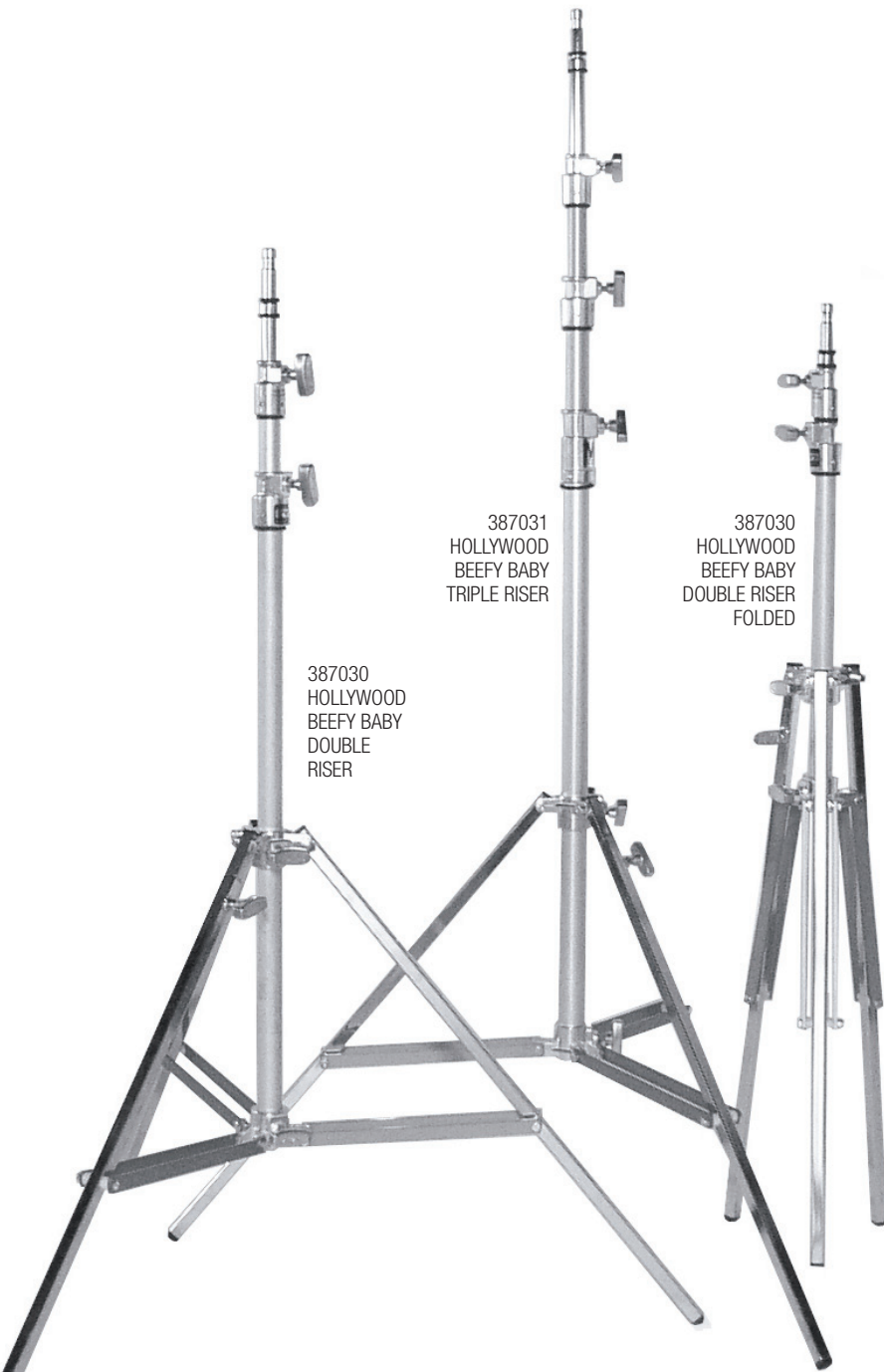


386034 PREMIE BABY

386038 MINI PREMIE BABY

Hollywood Beefy Baby®

The Hollywood Beefy Baby leg supports now fold down. Legs are made of steel instead of aluminum to provide greater stability and longer wear. The top riser which is the smallest in diameter is also made of steel increasing its strength and permitting the 5/8" Baby Pin to be welded directly to the riser instead of being pinned.



387031
HOLLYWOOD
BEEFY BABY
TRIPLE RISER

387030
HOLLYWOOD
BEEFY BABY
DOUBLE
RISER

387030
HOLLYWOOD
BEEFY BABY
DOUBLE RISER
FOLDED

387030 Hollywood Beefy Baby — Double Riser with Rocky Mountain Leg

Maximum Height.....104" (2642mm)
 Minimum Height.....41" (1041mm)
 Weight Capacity..... 22lbs (10kg)
 Weight.....12.5lbs (5.7kg)
 Footprint.....33.5" (851mm)
 Folded Base.....5" (127mm)
 List Price: \$248.00

387031 Hollywood Beefy Baby — Triple Riser with Rocky Mountain Leg

Maximum Height.....148" (3759mm)
 Minimum Height.....45.5" (1156mm)
 Weight Capacity.....20lbs (9.1kg)
 Weight.....13.5lbs (6.1kg)
 Footprint.....33.5" (851mm)
 Folded Base.....5" (127mm)
 List Price: \$281.00



Budget Wheels

Featuring high grade 3" wheels, these wheel sets will fit all stands with 1" square legs. easy to install – smooth operating.

CATALOG #	DESCRIPTION	LBS	LIST PRICE
366170	Budget Wheels - Set of 3	3.0	\$150.00



429657
BEEFY BABY STAND
DOOR RACK

Beefy Baby Stand® Door Rack

Will hold up to 7 Beefy Baby Stands. Racks for other type stands are available on request and can be ordered in custom colors.

CATALOG #	DESCRIPTION	LBS	LIST PRICE
429657	Beefy Baby Stand Door Rack	5.5	\$130.00

Hollywood Baby Jr. Stands

These very popular lighting stands for Baby fixtures, which require a 5/8" mounting pin, are made with steel legs and riser assembly. The tripod braced base with 'all-axis' non-marking locking casters provides great stability. Matthews casters are not cheap, but when buying wheels you get what you pay for. Matthews casters are non-marking and lock in the caster position as well as rotationally. Made from steel components – not plastic – and will provide years of durable service.

H386025 Baby Jr. Double Riser

Maximum Height.....116" (2946mm)
 Minimum Height.....48" (1219mm)
 Weight Capacity.....30 lbs (14kg)
 Weight.....14 lbs (6kg)
 Footprint.....34" (864mm)
 Folded Base.....10" (254mm)
 List Price: \$332.00

H386020 Baby Jr. Triple Riser

Maximum Height.....147" (3734mm)
 Minimum Height.....55" (1397mm)
 Weight Capacity.....30 lbs (14kg)
 Weight.....18.5 lbs (8kg)
 Footprint.....49" (1245mm)
 Folded Base.....16" (406mm)
 List Price: \$350.00



Matthews Rolling Stands

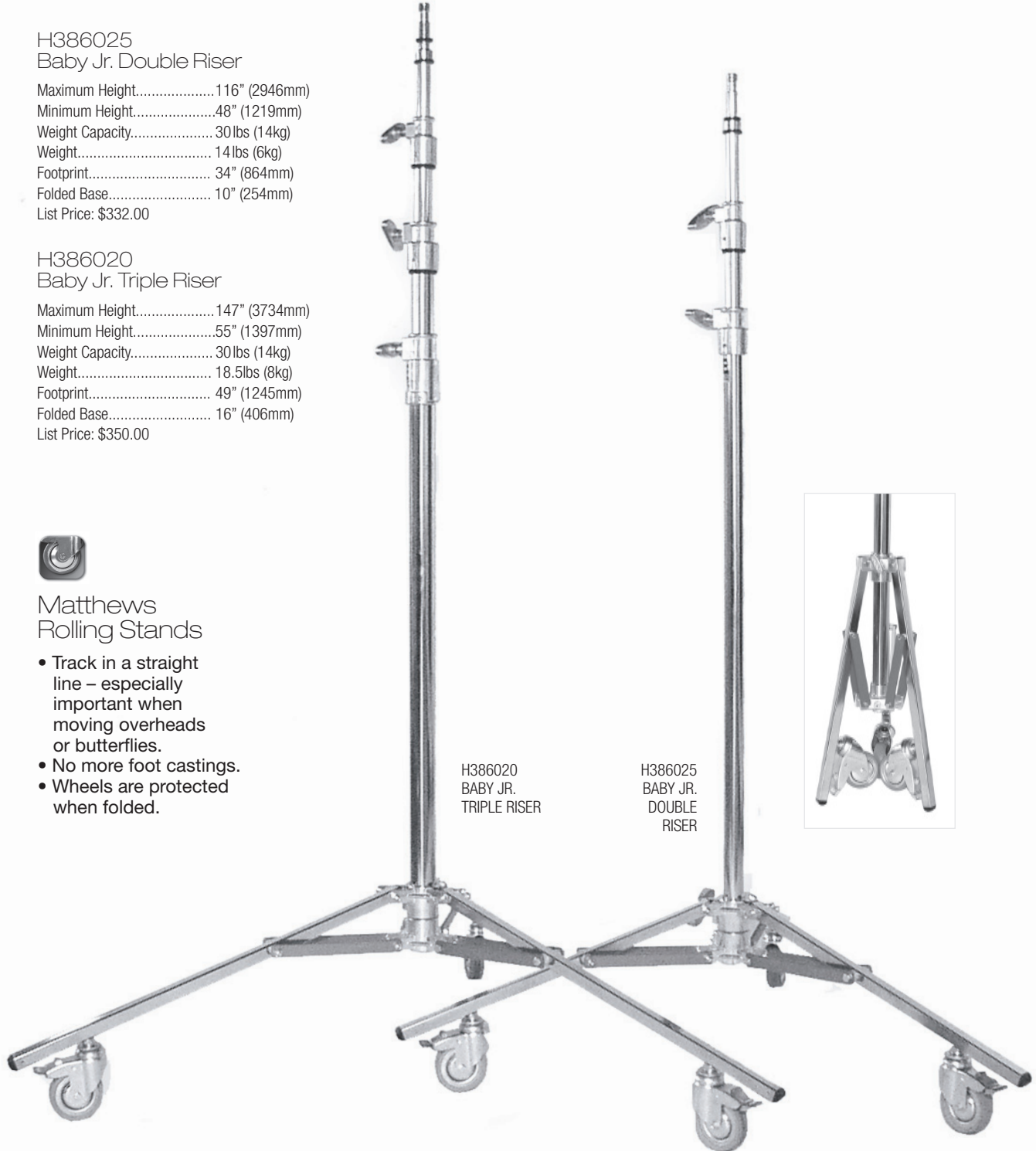
- Track in a straight line – especially important when moving overheads or butterflies.
- No more foot castings.
- Wheels are protected when folded.



H386020
BABY JR.
TRIPLE RISER

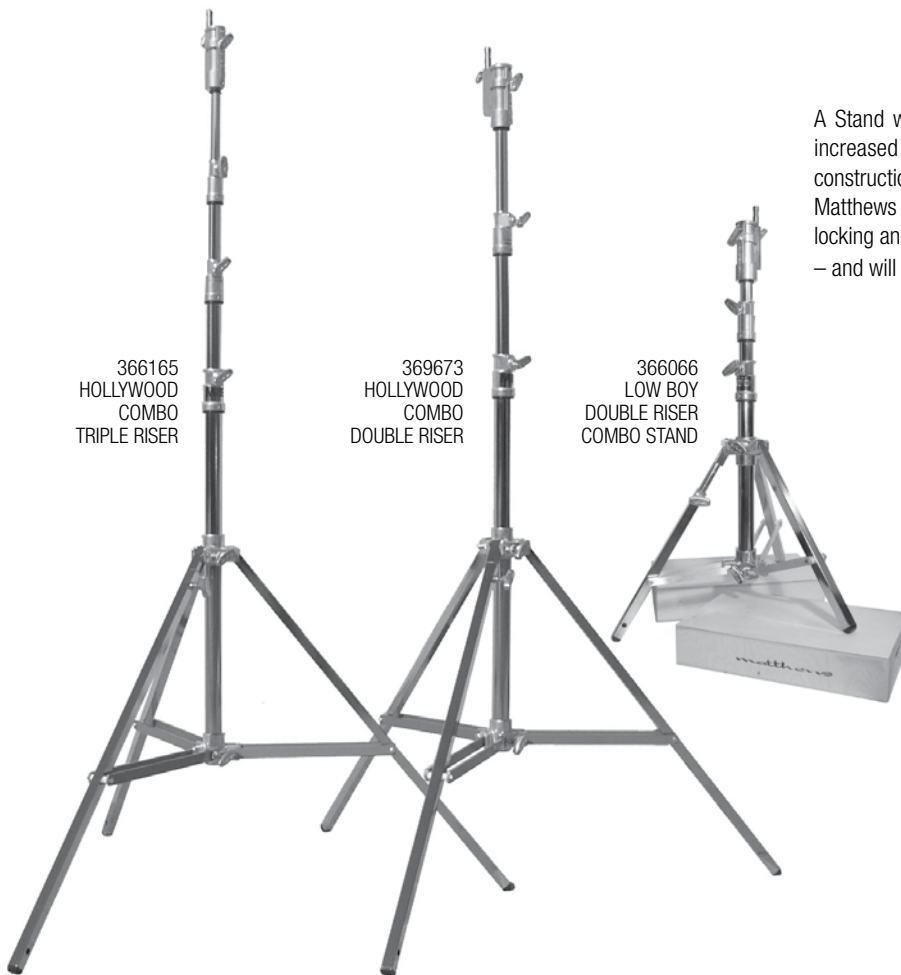


H386025
BABY JR.
DOUBLE
RISER



Hollywood Combo

A Stand with an attitude! Wider footprint and longer legs provide increased stability. Complete with Rocky Mountain Leg and steel construction. Available with aluminum risers upon request. Will accept Matthews #366068 Combo Adapter Wheels Matthews casters are locking and non-marking. Made from steel components – not plastic – and will provide years of durable service.



366165
HOLLYWOOD
COMBO
TRIPLE RISER

369673
HOLLYWOOD
COMBO
DOUBLE RISER

366066
LOW BOY
DOUBLE RISER
COMBO STAND

369673
Hollywood Combo — Double Riser
Maximum Height.....136" (3454mm)
Minimum Height.....49.5" (1257mm)
Weight Capacity.....90lbs (40kg)
Weight.....28lbs (12kg)
Footprint.....43" (1092mm)
Folded Base.....5" (127mm)
List Price: \$325.00

366165
Hollywood Combo — Triple Riser
Maximum Height.....177.5" (4508mm)
Minimum Height.....54.2" (1376mm)
Weight Capacity.....68lbs (30kg)
Weight.....32lbs (14kg)
Footprint.....43" (1092mm)
Folded Base.....5" (127mm)
List Price: \$352.00

369764
Hollywood Combo
Double Riser, Aluminum
Maximum Height.....136" (3454mm)
Minimum Height.....49.5" (1257mm)
Weight Capacity.....80lbs (36kg)
Weight.....13lbs (6kg)
Footprint.....43" (1092mm)
Folded Base......5" (127mm)
List Price: \$396.00

366066
Low Boy — Double Riser
Combo Stand, Steel
Maximum Height.....76.5" (1943mm)
Minimum Height.....33.5" (851mm)
Weight Capacity.....72lbs (33kg)
Weight.....16lbs (7kg)
Footprint.....31" (787mm)
Folded Base.....4" (102mm)
List Price: \$308.00

366065
Sky High — Triple Riser
Combo Stand, Steel
Maximum Height.....183" (4648mm)
Minimum Height.....56" (1442mm)
Weight Capacity.....50lbs (23kg)
Weight.....28lbs (13kg)
Footprint.....40" (1000mm)
Folded Base.....4.5" (114mm)
List Price: \$375.00

4-1/2" Hollywood Grip Head® — "Lollipop"

Plates now feature two holes of 3/8" and 5/8" diameter that eliminate any confusion. New casting offers positive lock in all directions. The strongest and most popular 4-1/2" Grip Head in the industry. Guaranteed to hold.



CATALOG #	DESCRIPTION	LBS	LIST PRICE
349581	Hollywood 4-1/2" Grip Head	5	\$113.00

Combo Adapter Wheels

Easily move your Matthews Combo Stand around the studio floor with these large diameter, heavy-duty, multiple locating/locking caster sets. A strong spring steel retainer ensures a tight fit without having to drill through the legs.



CATALOG #	DESCRIPTION	LBS	LIST PRICE
366068	Combo Adapter Adapter Wheels Set of 3	5.5	\$250.00

Combo Door Rack

Will hold up to 5 Combo Stands.

CATALOG #	DESCRIPTION	LBS	LIST PRICE
429655	Combo Door Rack	5.5	\$92.00



Digital Stands™

Matthews Digital presents two new, high-quality lighting stands for the demanding professional. Innovative, robust and durable, the Matthews Digital lighting stands are becoming an integral component of location and studio lighting packages. Additionally, each riser section is spring dampened, ensuring the stand may be safely lowered. Designed to be stronger and lighter than other manufacturers' aluminum combo stands, Matthews Digital Stands are also lower in cost.

STANDS



Baby Stand

- Sky Hi Triple Riser Baby Stand
- Maximum Height.....163" (414cm)
- Minimum Height.....50" (127cm)
- Weight Capacity..... 58lbs (26.3kg)
- Weight..... 13lbs (5.9kg)
- Footprint.....50" (127cm)
- 5/8" Pin/Spigot
- Rocky Mountain Leveling Leg
- Rack Mount Adapter
- 387032** Baby Stand.....List Price \$237.00
- 366170** Budget Wheels - Set of 3.....List Price \$150.00



Combo Stand

- Double Riser Combination Stand
- Maximum Height.....132" (335cm)
- Minimum Height.....51" (130cm)
- Weight Capacity..... 88lbs (40kg)
- Weight.....18lbs (8.1kg)
- Footprint.....50" (127cm)
- 5/8" Pin/Spigot plus 1-1/4" Receiver
- Rocky Mountain Leveling Leg
- Rack Mount Adapter
- 369675** Combo Stand.....List Price \$248.00
- 366170** Budget Wheels - Set of 3.....List Price \$150.00

Black Aluminum Lightweight Digital Stands

Matthews Studio Equipment is pleased to announce the addition of two, new, lightweight aluminum stands to their product range. The recent developments in lighter weight illumination technologies has dictated the development of lighter weight stands to accommodate lighter weight fixtures such as LED arrays, fluorescents and other luminaries. The two new stands are manufactured from lightweight, hardened aluminum and will prove themselves reliable and robust supports on stage, set or location.

B366167 Combo Stand

Black, aluminum,
double riser with
Rocky Mountain Leg.

Specifications	
Maximum Height	124" (315cm)
Minimum Height	48" (122cm)
Weight Capacity	25lbs (11.3kg)
Weight	10lbs (4.3kg)
Footprint	36" (90cm)
List Price	\$210.00



387101 Wheels
for either stand.
List Price \$35.00

B366168 Baby Stand

Black, aluminum,
triple riser with steel
top riser/pin &
Rocky Mountain Leg.

Specifications	
Maximum Height	155" (393cm)
Minimum Height	53" (135cm)
Weight Capacity	25lbs (11.3kg)
Weight	9lbs (4kg)
Footprint	36" (90cm)
List Price	\$212.00



NEW PRODUCT ANNOUNCEMENT

By combining aluminum legs and risers with a steel top riser, Matthews has created a robust, lightweight and tall Combo stand, as the steel top riser adds strength and security.

B369765 Alum/Steel Triple Riser Combo

Black, aluminum, triple riser with Rocky Mountain Leg.
Available in Black only.

Specifications	
Maximum Height	177" (450cm)
Minimum Height	54" (137cm)
Maximum Load	35Lbs (16kg)
Weight	21Lbs (9.8kg)
Footprint	45" (109cm)
List Price	\$425.00



Magic Stand™

This stand is truly magical! With the Runway Base added, the Magic Stand can be a regular rolling light stand. It can be a high rolling light stand, and it can also convert to a two section light boom with its own rolling stand. Its versatility is truly magical, whether a light needs to be placed at floor height, or behind as a hair light, or over a table for a product shot – this stand can do it all! Made with a standard 1-1/8" Junior Pin at the bottom, the Magic Stand riser could be added to the Combo Stand as a very unique stand extension or inverted to hang from a C Clamp into the set. The top riser incorporates our Magic Finger™ – a stand that has been copied, but not yet duplicated!

999042 Magic Stand — Complete w/Runway Base

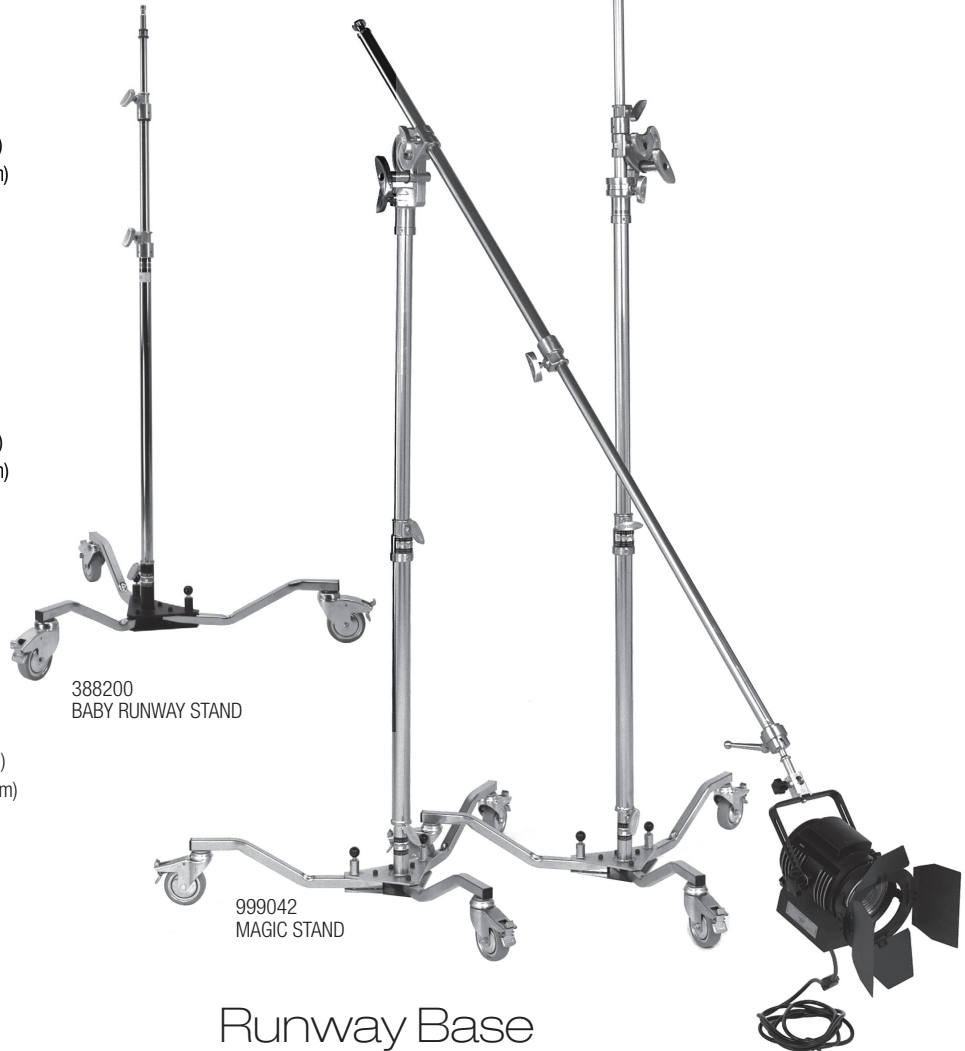
Maximum Height..... 150" (3810mm)
 Minimum Height..... 54.5" (1384mm)
 Weight Capacity..... 40 lbs (18kg)
 Weight..... 37 lbs (17kg)
 Footprint..... 32" (812mm)
 Folded Base..... 21" (533mm)
 List Price: \$875.00

388214 Magic Stand — Riser Only

Maximum Height..... 150" (3810mm)
 Minimum Height..... 54.5" (1384mm)
 Weight Capacity..... 40 lbs (18kg)
 Weight..... 17 lbs (8kg)
 Footprint..... NA
 Folded Base..... NA
 List Price: \$505.00

388200 Baby Runway Stand (includes base)

Maximum Height..... 115" (2921mm)
 Minimum Height..... 49.5" (1257mm)
 Weight Capacity..... 40 lbs (18kg)
 Weight..... 20 lbs (9kg)
 Footprint..... 32" (812mm)
 Folded Base..... 21" (533mm)
 List Price: \$467.00



Runway Base

This really low rolling stand base was designed to work with the Magic Stand, but it is also capable of handling any large light fixture mounted directly into its Posi-V-Lock Junior Receiver. Matthews casters are locking and non-marking. Made from steel components not plastic and will provide years of durable service.



Matthews Rolling Stands

- Track in a straight line – especially important when moving overheads or butterflies.
- No more foot castings.
- Wheels are protected when folded.



RUNWAY BASE FOLDS
FOR EASY STORAGE

388201 Runway Base

Height..... 6" (152mm)
 Weight Capacity..... 250 lbs (113kg)
 Weight..... 20 lbs (9kg)
 Footprint..... 32" (812mm)
 Folded Base..... 20" (508mm)
 List Price: \$393.00

Hollywood Junior & Senior Stands

Designed for larger lighting fixtures, these stands are built with steel legs and steel riser assemblies. These stands provide a stable rolling base for Junior and midsize lighting fixtures. Equipped with universal Posi-V-Lock Junior Receiver with pop up 5/8" male pin, the Senior Stands are made for fixtures weighing up to 88 pounds. Please refer to the technical specification for the weight limitations of each stand. Matthews casters are locking and non-marking. Made from steel components – not plastic – and will provide years of durable service.

H386021
Low Boy Junior
Double Riser — Rolling
Maximum Height..... 75" (1905mm)
Minimum Height..... 39" (991mm)
Weight Capacity..... 55 lbs (11kg)
Weight..... 24.5 lbs (6kg)
Footprint..... 57" (1446mm)
Folded Base..... 12" (305mm)
List Price: \$358.00

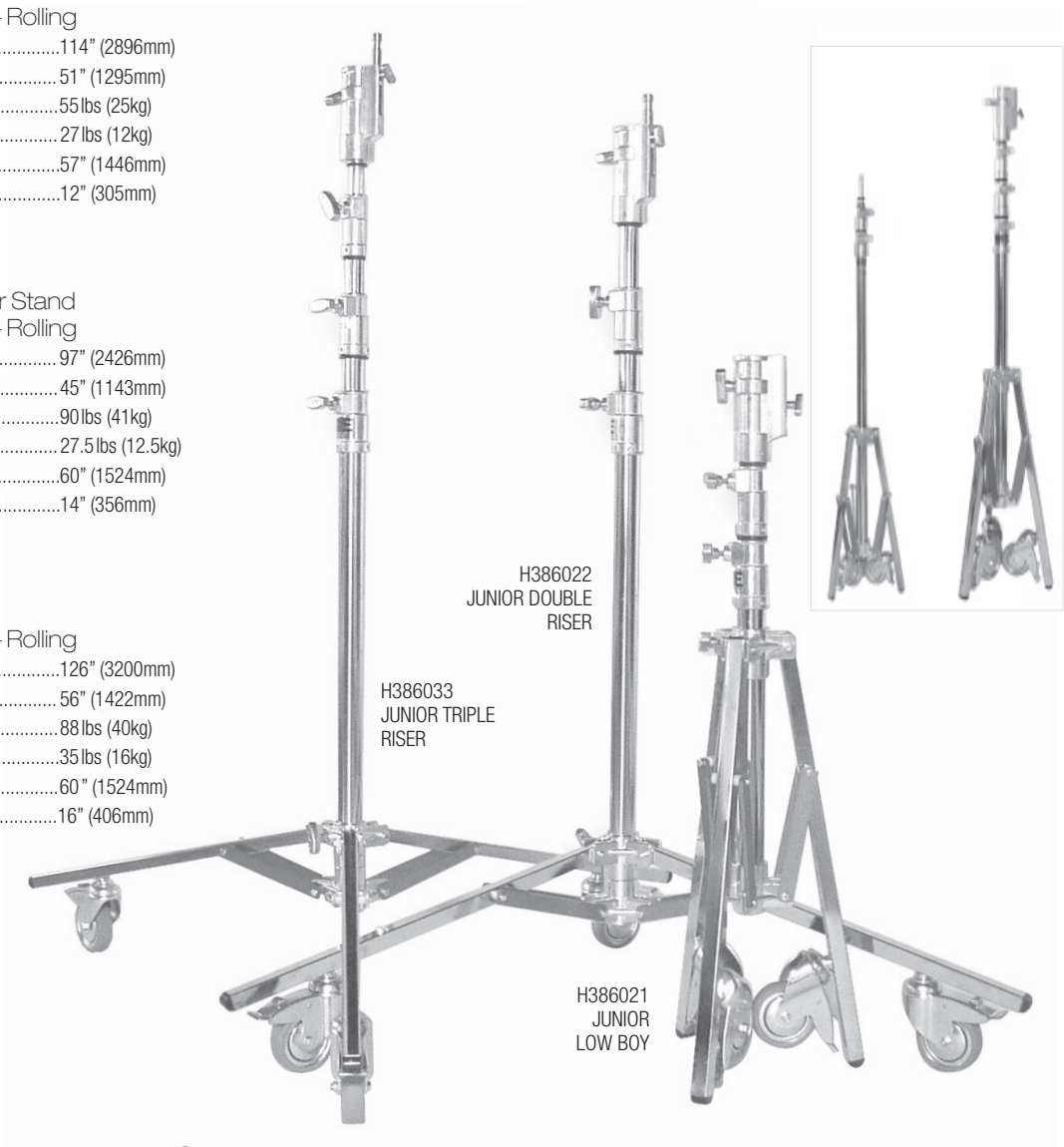
H386033
Junior Stand Triple Riser — Rolling
Maximum Height..... 154" (3912mm)
Minimum Height..... 56" (1422mm)
Weight Capacity..... 55 lbs (25kg)
Weight..... 31 lbs (14kg)
Footprint..... 57" (1446mm)
Folded Base..... 12" (305mm)
List Price: \$418.00

429051
Junior Double Riser — Column Only
Maximum Height..... 91" (2311mm)
Minimum Height..... 45" (1143mm)
Weight Capacity..... 55 lbs (25kg)
Weight..... 9 lbs (4kg)
Footprint..... NA
Folded Base..... 20" (508mm)
List Price: \$202.00

H386022
Junior Stand
Double Riser — Rolling
Maximum Height..... 114" (2896mm)
Minimum Height..... 51" (1295mm)
Weight Capacity..... 55 lbs (25kg)
Weight..... 27 lbs (12kg)
Footprint..... 57" (1446mm)
Folded Base..... 12" (305mm)
List Price: \$385.00

H386026
Low Boy Senior Stand
Double Riser — Rolling
Maximum Height..... 97" (2426mm)
Minimum Height..... 45" (1143mm)
Weight Capacity..... 90 lbs (41kg)
Weight..... 27.5 lbs (12.5kg)
Footprint..... 60" (1524mm)
Folded Base..... 14" (356mm)
List Price: \$429.00

H386027
Senior Stand
Double Riser — Rolling
Maximum Height..... 126" (3200mm)
Minimum Height..... 56" (1422mm)
Weight Capacity..... 88 lbs (40kg)
Weight..... 35 lbs (16kg)
Footprint..... 60" (1524mm)
Folded Base..... 16" (406mm)
List Price: \$413.00



Matthews Rolling Stands

- Track in a straight line – especially important when moving overheads or butterflies.
- No more foot castings. • Wheels are protected when folded.

Hollywood Overhead Stands

Roller Stands, or Overhead Stands as they are often called, utilize all steel tubes and legs. Developed for flying Butterflies and Overheads on location and supporting large backdrops in studios, these stands feature wide bases for stability and terminate in the new 4.5" Grip Head. Plates now feature two holes of 3/8" and 5/8" diameter that eliminate any confusion. New casting offers positive lock in all directions. The strongest and most popular 4-1/2" Grip Head in the industry. Guaranteed to hold. Matthews casters are locking and non-marking. Made from steel components – not plastic – and will provide years of durable service.

H377573

Medium Overhead Roller Stand
 Maximum Height.....167.5" (4255mm)
 Minimum Height.....64" (1626mm)
 Weight Capacity.....88 lbs (40kg)
 Weight.....35.5lbs (16kg)
 Footprint.....60" (1524mm)
 Folded Base.....16" (406mm)
 List Price: \$479.00

H377574

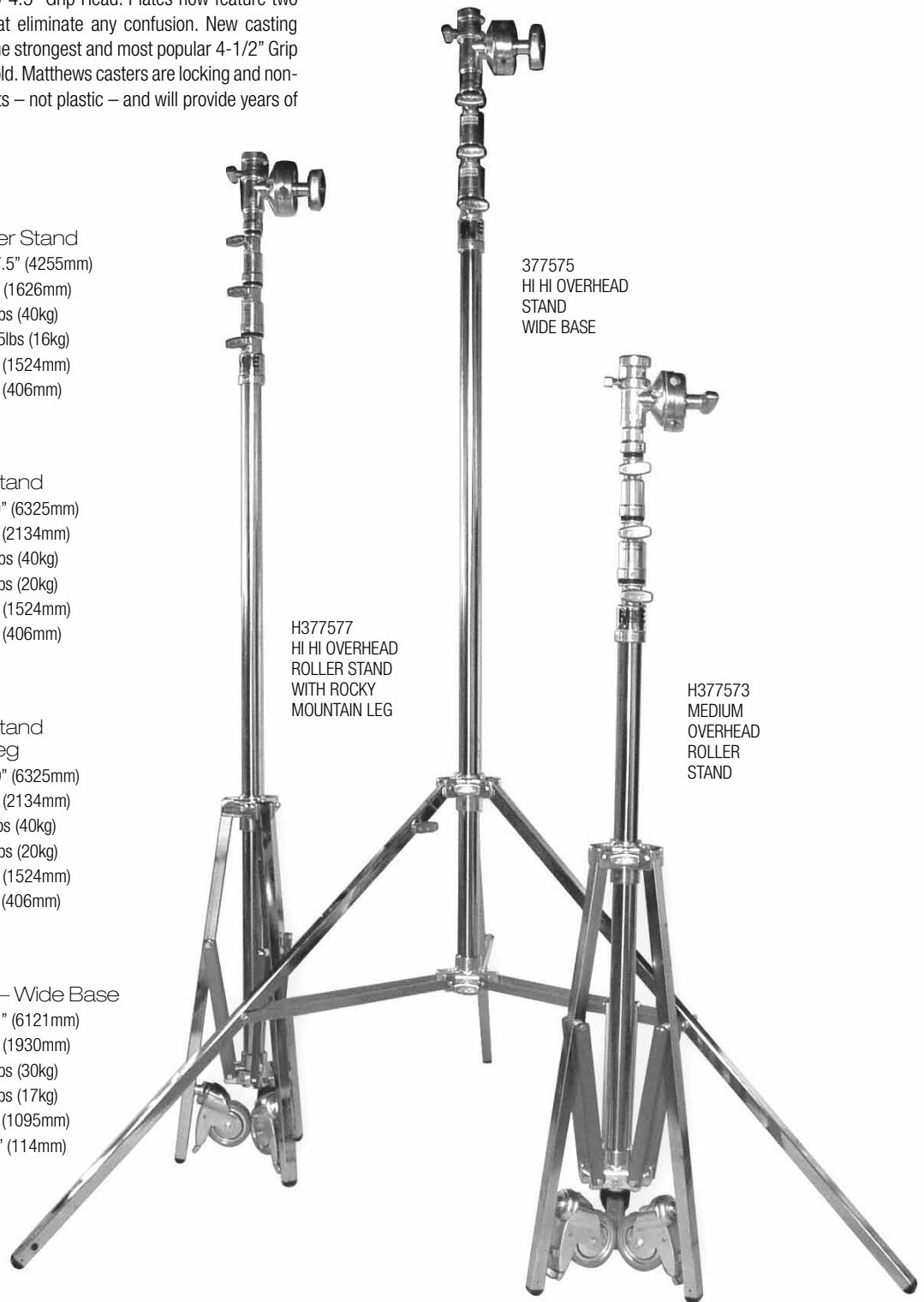
Hi-Hi Overhead Roller Stand
 Maximum Height.....249" (6325mm)
 Minimum Height.....84" (2134mm)
 Weight Capacity.....88 lbs (40kg)
 Weight.....43 lbs (20kg)
 Footprint.....60" (1524mm)
 Folded Base.....16" (406mm)
 List Price: \$506.00

H377577

Hi-Hi Overhead Roller Stand
 with Rocky Mountain Leg
 Maximum Height.....249" (6325mm)
 Minimum Height.....84" (2134mm)
 Weight Capacity.....88 lbs (40kg)
 Weight.....43 lbs (20kg)
 Footprint.....60" (1524mm)
 Folded Base.....16" (406mm)
 List Price: \$550.00

377575

Hi-Hi Overhead Stand — Wide Base
 Maximum Height.....241" (6121mm)
 Minimum Height.....76" (1930mm)
 Weight Capacity.....66 lbs (30kg)
 Weight.....38 lbs (17kg)
 Footprint.....75" (1095mm)
 Folded Base.....4.5" (114mm)
 List Price: \$495.00



Matthews Rolling Stands

- Track in a straight line – especially important when moving overheads or butterflies.
- No more foot castings. • Wheels are protected when folded.

Mini Mombo

The New Hi Stand
of Choice by Professionals
All Over The World.

STANDS

The New Mini Mombo Stand.

If you do not need all the potential height of the Mombo Combo Stand but would rather like a lighter weight stand with almost as much reach as the Mombo Combo please consider the new Mini Mombo from Matthews. Matthews has engineered the Mini Mombo to achieve the much desired 'lower working height' required when mounting either large flags and butterflies or heavy lighting fixtures. Additionally, each riser section is spring dampened, ensuring the stand may be safely lowered.

The Mini Mombo 4-riser Stand has a maximum height of over 17 feet and will easily handle fixtures over 80 pounds. Great for overheads and frames. Like all Matthews stands the Mini Mombo packs a lot of punch! It's strong, robust, and the Mini Mombo's Rocky Mountain Leg will offset uneven terrain to ensure a firm, stable and sturdy footprint.

377585

Mini Mombo Overhead/Light Stand

Specifications:

Closed Length.....	66.5" (169cm)
Loading Height.....	64" (162cm)
Maximum Height.....	17'4" (529cm)
Weight Capacity.....	88lbs (40kg)
Weight.....	34lbs (15.5kg)
List Price:	\$575.00

366068

Caster and Brake Assembly

Position your Mombo exactly where you need it with this rugged and robust wheel set. Foot actuated brakes lock both wheel position and rotation. Matthews casters are locking and non-marking. Made from steel components – not plastic – and will provide years of durable service.

List Price: \$250.00 Set of 3



Matthews Rolling Stands

- Track in a straight line – especially important when moving overheads or butterflies.
- No more foot castings. • Wheels are protected when folded.

Mombo Combo — “Daddy Long Legs”

The Mombo Combo Stand achieves an incredible height of 22 feet. Because of this height, it features an extra-wide base and incorporates a collar for attaching stabilizing Guy Wires or ropes (Matthews #377578-40). The Mombo Combo legs are made of rectangular steel tubing and are internally reinforced with a Matthews engineered gusset assembly. Additionally, each riser section is spring dampened, ensuring the stand may be safely lowered. The Mombo Combo's Rocky Mountain Leg will offset uneven terrain to ensure a firm, stable and sturdy footprint. This is absolutely the strongest stand of its type in the business!

CAUTION: Slight wind can create a tremendous hazard at the heights attainable with this stand. The use of stabilizing cables or guy ropes is recommended.

377583

Mombo Combo Stand - Standard Finish

Maximum Height.....	22.3' (7417mm)
Minimum Height.....	74.5" (1892mm)
Weight Capacity.....	.88 lbs (40kg)
Weight.....	48.5 lbs (22kg)
Footprint.....	.74" (1180mm)
Folded Base.....	.6" (152mm)
List Price: \$605.00	

Guy Rope Safety Set

Set of three ropes complete with clips to attach to the Guy Ring on the Mombo Combo Stand or any other stand during windy conditions.

CATALOG #	DESCRIPTION	LBS	LIST PRICE
377578-40	Guy Rope Safety Set (3 ropes with clips)	2	\$96.00

Master Caster

These wheels convert our standard Mombo Combo stand into a rolling stand using 10" semi-pneumatic, puncture proof wheel with a 4-position lock. Ideal for semi-rough terrain.

CATALOG #	DESCRIPTION	LBS	LIST PRICE
377581	Master Caster — Set of 3	28.5	\$780.00

MOMBO COMBO Wheel Adapters

Matthews casters are locking and non-marking. Made from steel – not plastic – components and will provide years of durable service.

CATALOG #	DESCRIPTION	LBS	LIST PRICE
377579	Wheel Adapters — Set of 3 O/S 1"x1-1/2"	11.3	\$230.00
377584	Wheel Adapters — Set of 3 N/S 1-1/4"x 1-1/4"	11.3	230.00



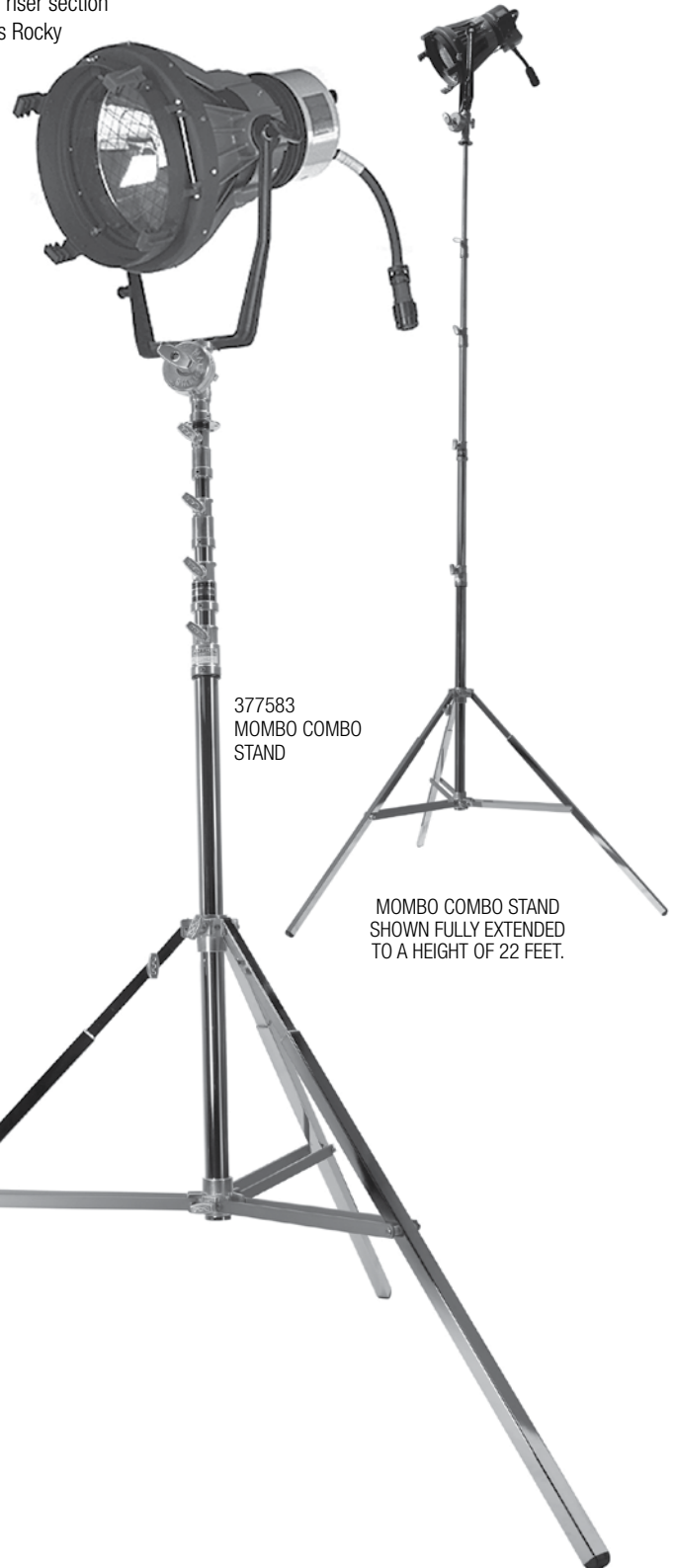
377578-40
GUY ROPE
SAFETY SET



377581
MASTER CASTER



377579
MOMBO COMBO
WHEEL ADAPTERS



377583
MOMBO COMBO
STAND

MOMBO COMBO STAND
SHOWN FULLY EXTENDED
TO A HEIGHT OF 22 FEET.

Minivator II

The MINIVATOR II from Matthews is the taller and stronger version of our very popular MINIVATOR stands which Matthews first introduced over 10 years ago.

We have beefed up the payload of the MINIVATOR II from 60 to 80 pounds and added to the maximum height without sacrificing strength, safety or stability. A Rocky Mountain Leg makes the MINIVATOR II ideal for location work and sturdy 4" casters, available as an accessory kit, finish off this versatile stand for stage use. The durable, double cable mechanism keeps both risers traveling at equal proportions with each turn of the handle ensuring firm and steady movement of the lighting fixture to the maximum height. Only 38 effortless turns will take the fixture to full height. A "Combo" dual purpose top casting allows for use of both Junior pin and Baby receiver fixtures.

MINIVATOR II Specifications:

Maximum Height.....142" (361cm.)

Loading Height.....55" (140cm.)

Maximum Load.....80 lbs. (36.4kg.)

Footprint.....58" (150cm.)

Weight.....48lbs (21.8kg.)

B377705

MINIVATOR II

List Price

\$795.00

B377706

4" Wheel Set

List Price

\$145.00



Lo Boy Crank-O-Vator II.1 & II.2



Among the many requests we receive here at Matthews there's one that keeps coming up every time we speak with industry professionals either at trade shows, on back lots or here at our new facility — 'How about bringing back a really rugged, heavy-duty, cranking stand?'

The answer was simple. OK, we will!

Now don't try to reinvent the wheel, simply replace them. Gone are the heavy-duty tires. They've been replaced with lightweight wheels that enhance the maneuverability of the stand. As for the stand, bring back a tried and true stand already known to the industry, make a few improvements, and you have Matthews NEW Lo Boy Crank-O-Vator II available in both single (II.1) and double (II.2) riser configurations. They're every bit as reliable as earlier Lo Boy I & II and we couldn't be happier to offer them to you once again. As for those Big Boy heavy-duty wheels, we still offer them as an option.

Matthews Lo Boy Crank-O-Vator II.1 & II.2

Among the Many Features of the Lo Boy Crank-O-Vator II.1 & II.2:

- No 'PUSH TO RELEASE' button to raise the fixture. It's only a safety feature when lowering the fixture.
- The new Crank II.1 and II.2 have a loading height of 37" & 38" respectively that is lower than the Crank I.
- Still only seven moving parts in the entire assembly.
- All transmission parts are interchangeable as are the spider castings, leg brace supports, handles and main body castings.
- Break-away design protects the handle and eliminates the need to reverse the handle for storage and/or transit.
- The columns can be raised and lowered without any weight.
- Wheel mount lower leg castings ensure long-term, lower-end rigidity.
- Larger, stronger pinion shaft for long-term reliability and no riser tube rotation.



350006

Big Boy Wheels

List Price \$1500.00 per set

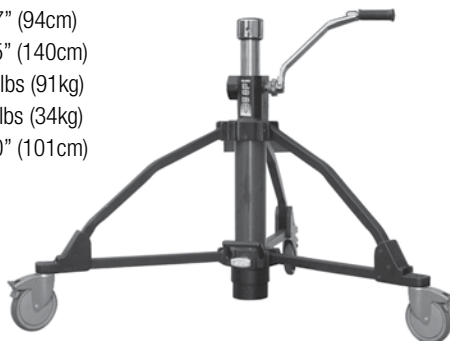
Loading Height.....37" (94cm)
 Maximum Height.....55" (140cm)
 Capacity.....200lbs (91kg)
 Weight.....75lbs (34kg)
 Footprint.....40" (101cm)

350007

Lo Boy Crank-O-Vator II.1

Single Riser

Contact Matthews for Pricing



Loading Height.....38" (97cm)
 Maximum Height.....68" (172cm)
 Capacity.....200lbs (91kg)
 Weight.....82lbs (41kg)
 Footprint.....40" (101cm)

350000

Lo Boy Crank-O-Vator II.2

Double Riser

Contact Matthews for Pricing